

FFE 1 - 3.2 Series

Freon Flake Ice Making Systems



FF2E

FF-E Series (Freon Flake Evaporator, no refrigeration included)

Also available in 400kg, 600kg, 5 Ton, 10 Ton, 15 Ton, 20 Ton, 30 Ton, 40 Ton and 50 Ton.

The FFE Series is suited to those contractors that may wish to combine a single, or multiple evaporators together, operating on a common refrigeration plant.

The FFE Series comes complete with control system, water pump, and gear motor assembly. This offers a choice for the Customer to use their preferred refrigeration equipment.

Warranty: 3 years parts and labour, 5 years on evaporator assembly.

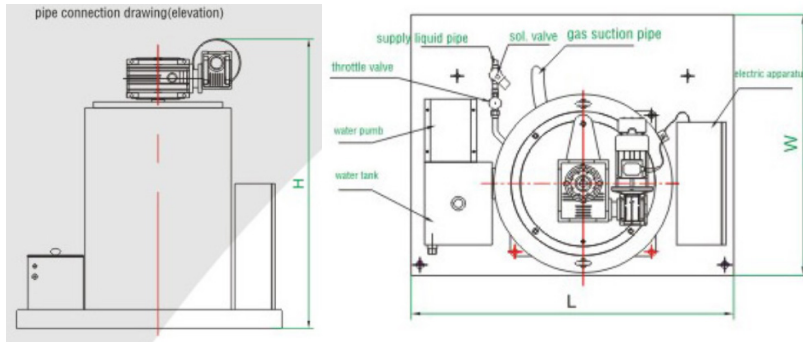
ACCESSORIES

WATER FILTERS	
SYSTEM	REPLACEMENT
CD40B	CD2020B CD250B

ICE PRODUCTION

Model Number	Ice Production Per 24hrs
FF1E	1T
FF1.5E	1.5T
FF2E	2T
FF2.5E	2.5T
FF3.2E	3.2T

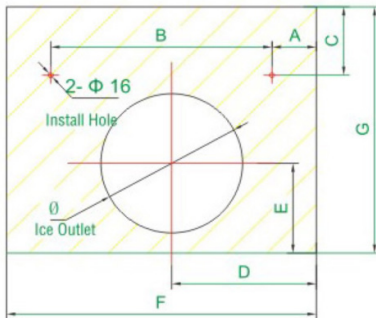




DIMENSIONS WITHOUT PACKING

Model	Ice Machine Dimensions W	Ice Machine Dimensions D	Ice Machine Dimensions H
FF1E	1050 mm	850 mm	870 mm
FF1.5E	1050 mm	850 mm	1050 mm
FF2E	1050 mm	850 mm	1080 mm
FF2.5E	1050 mm	850 mm	1250 mm
FF3.2E	1050 mm	850 mm	1300 mm

ICE OUTLET DIMENSIONS



Model	A	B	C	D	E	F	G	Ice Outlet Internal Dia.
FF1E	150 mm	750 ± 1 mm	236 mm	490 mm	310 mm	1050 mm	850 mm	Ø 480
FF1.5E	150 mm	750 ± 1 mm	236 mm	490 mm	310 mm	1050 mm	850 mm	Ø 480
FF2E	150 mm	750 ± 1 mm	236 mm	490 mm	310 mm	1050 mm	850 mm	Ø 480
FF2.5E	150 mm	750 ± 1 mm	236 mm	490 mm	310 mm	1050 mm	850 mm	Ø 480
FF3.2E	150 mm	750 ± 1 mm	236 mm	490 mm	310 mm	1050 mm	850 mm	Ø 480

TECHNICAL PARAMETER

Model	Refrigerating Capacity	Gear Motor Power	Water Pump Power	Water Consumption	Inlet Water Connection	Drainpipe External Diameter	Net Weight (kg)
FF1E	5.5 kW	180W	10W	42L/hr	3/4" GAS	Ø 21 mm	170
FF1.5E	8.5 kW	180W	10W	63L/hr	3/4" GAS	Ø 21 mm	200
FF2E	11 kW	180W	10W	85L/hr	3/4" GAS	Ø 21 mm	230
FF2.5E	13.5 kW	180W	10W	100L/hr	3/4" GAS	Ø 21 mm	240
FF3.2E	16.5 kW	180W	10W	125L/hr	3/4" GAS	Ø 21 mm	280 kg

Notes:

- Refrigerant Type: R22/R404A
- Standard Conditions: Ambient Air Temperature 25°C, Water Temperature 16°C
- Condensing Temperature 40°C
- Evaporating Temperature -22°C
- Electrical Voltage: 380V/50Hz / 3N
- Supply Water Pressure: 1.5 BAR - 5 BAR

